

Datasheet

Cochlear™ Baha® Connect System



Cochlear Baha Implants and Abutments

All sterile products are for single use only.

Material Information:

The BA400/BIA400 series abutments and implants are made of medical grade titanium (ASTM standard F-67).

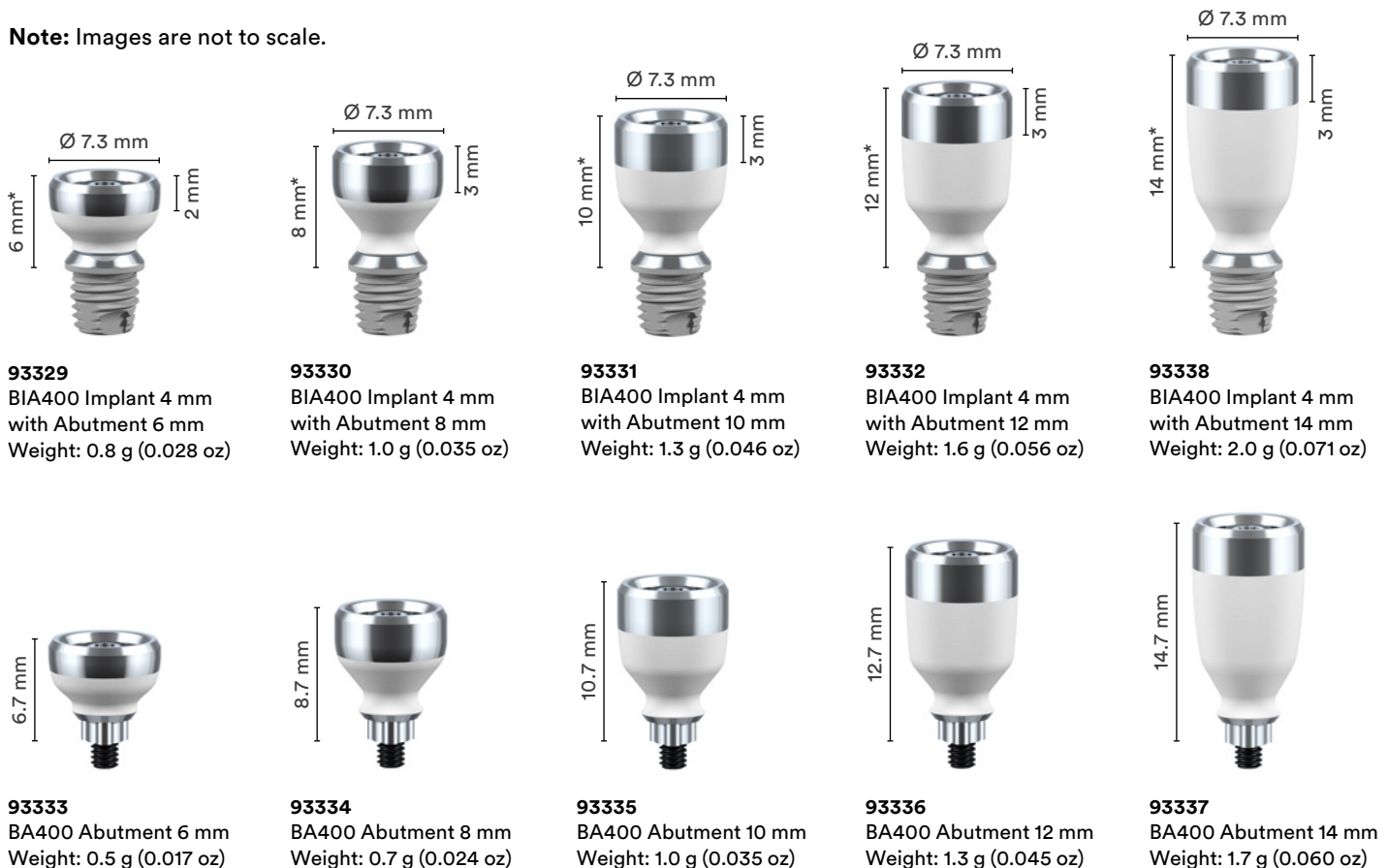
The abutment screw is made of titanium alloy, grade 5 (ASTM standard F-136). The abutments are coated with a hydroxyapatite layer, $\text{Ca}_5(\text{PO}_4)_3(\text{OH})$ and has a mean thickness of approximately 80µm.

The conical cover screw and the abutment screw for the BA400 Series abutments are made of titanium alloy, grade 5 (ASTM standard F-136).

Conical guide drill and Widening drills are made of hardened stainless steel (WS 1.4197). The spacer on the Conical guide drill is made of Celanex 2401 MT.

Dimensions:

Note: Images are not to scale.

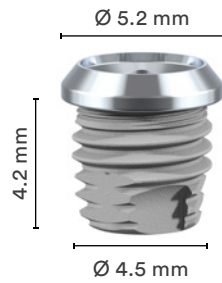


* This distance is from bone level (under flange) to the top of the abutment

Note: Images are not to scale.



92128
BI300 Implant 3 mm
Weight: 0.2 g (0.007 oz)

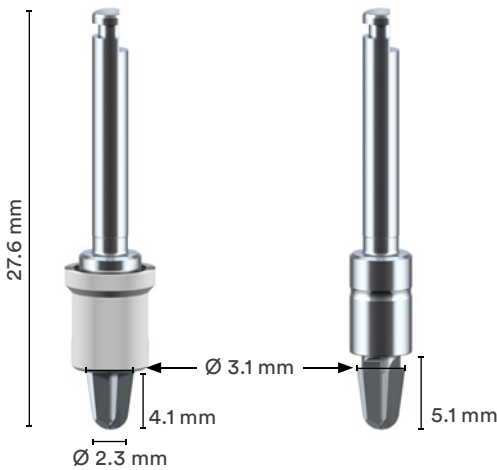
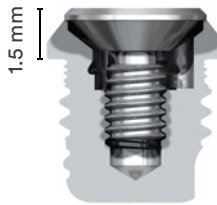


92129
BI300 Implant 4 mm
Weight: 0.3 g (0.011 oz)

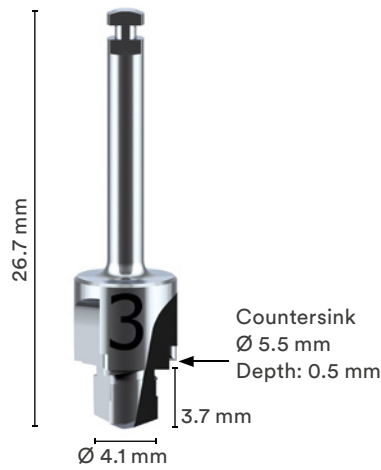


92136
Cover screw conical
Weight: 0.04 g (0.001 oz)

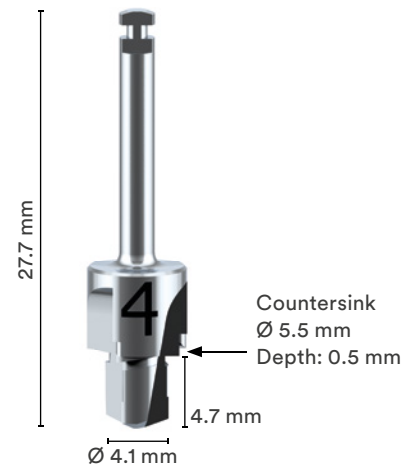
Note: This figure shows a cross-section of the Cover screw conical placed on a BI300 Implant. The distance from bone level (under flange) to the top of the Cover screw conical is 1.5 mm.



93363
Conical guide drill 3+4 mm



92140
Widening drill 3 mm
with countersink



92141
Widening drill 4 mm
with countersink

This material is intended for health professionals. If you are a consumer, please seek advice from your health professional about treatments for hearing loss. Outcomes may vary, and your health professional will advise you about the factors which could affect your outcome. Always read the instructions for use. Not all products are available in all countries. Please contact your local Cochlear representative for product information.

©Cochlear Limited 2023. All rights reserved. ACE, Advance OffStyilet, AOS, Ardium, AutoNRT, Autosensitivity, Baha, Baha SoftWear, BCDrive, Beam, Bring Back the Beat, Button, Carina, Cochlear, 科利耳, コクレア, 코클리어, Cochlear SoftWear, Contour, 콘트우아, Contour Advance, Custom Sound, DermaLock, Freedom, Hear now. And always, Hugfit, Human Design, Hybrid, Invisible Hearing, Kanso, LowPro, MET, MP3000, myCochlear, mySmartSound, NRT, Nucleus, Osia, Outcome Focused Fitting, Off-Styilet, Piezo Power, Profile, Slimline, SmartSound, Softip, SoundArc, SoundBand, True Wireless, the elliptical logo, Vistafix, Whisper, WindShield and Xidium are either trademarks or registered trademarks of the Cochlear group of companies.

Cochlear Americas

10350 Park Meadows Drive, Lone Tree, CO 80124, USA
Tel: +1 303 790 9010 Support: Tel: +1 800 483 3123

Cochlear Canada Inc.

2500-120 Adelaide Street West, Toronto, ON M5H 1T1, Canada
Tel: +1 800 483 3123 Fax: +1 416 972 5083

www.cochlear.com/us